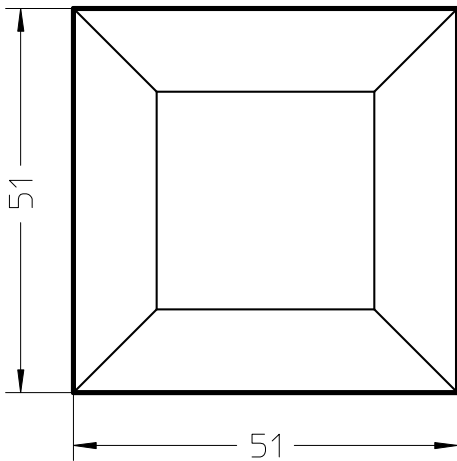




Thomas Gatzemeier
Fon +49 (0)208 / 2 77 87

Lohstraße 30
Fax +49 (0)208 / 205 72 75

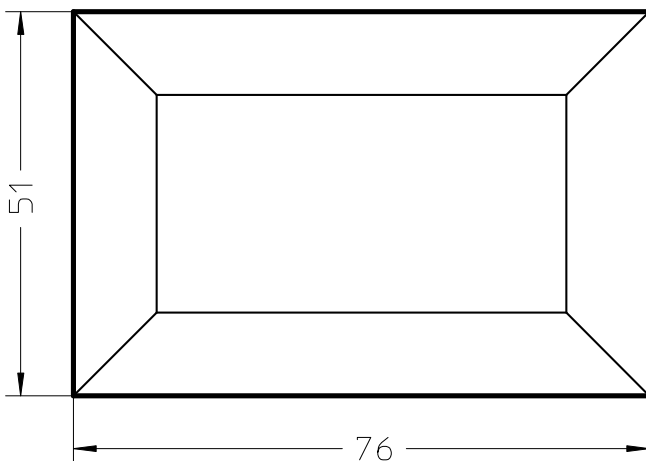
D - 46047 Oberhausen
E-Mail info@glaspalette.de



Facette 51x51mm Straight

Bevel 2x2" Straight

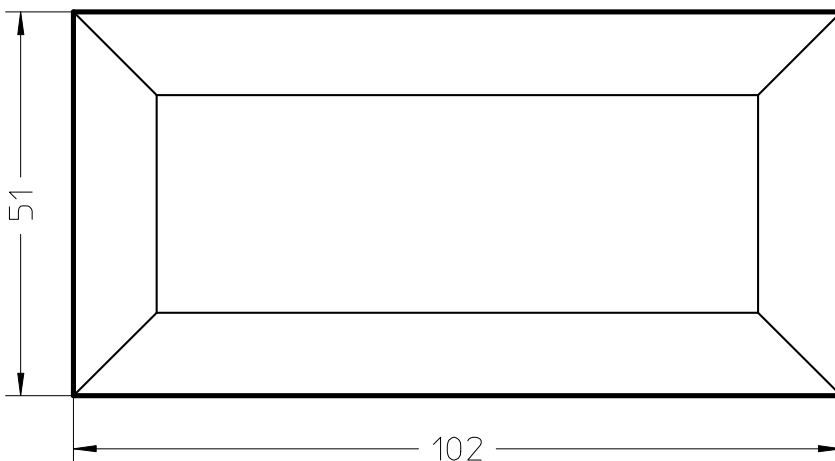
10 020 051 Standard



Facette 51x76mm Straight

Bevel 2x3" Straight

10 020 076 Standard



Facette 51x102mm Straight

Bevel 2x4" Straight

10 020 102 Standard